



Paload

by Palazzani

TECHNICAL SHEET PB60.2

PB 60

4 STEERING WHEEL BACKHOE LOADER

ENGINE

Complies with European Directive	97/68 CE - STAGE 2
Model	Perkins 1104C - 44T
Max. power ISO TR14396	HP - kW 100 - 74,5
Regimen adjusted	rpm 2200
Power adjusted CEE 80/1269	HP - kW 100 - 74,5
Power adjusted ISO 9249	HP - kW 100 - 74,5
Number of cylinders - Injection	4 - direct
Intake	Turbo feeded
Displacement	cc. 4400
Cooling	Water
Air filter with double protection	Dry
Electrical equipment	volt 12
Free maintenance battery	Ah 105
Self regulated alternator	W 780
Fuel tank capacity	l 70

TRANSMISSION

Hydrostatic transmission at closed circuit, with automatic adjustment of power, axial pistons pump and engine at variable displacement
Inching pedal control.
Automatic selection of working speed.
2 forward and 2 backward speeds, electrical control on the steering wheel.

SPEED

		1st	2nd automatic
Forwards	Km/h	0 ÷ 9	0 ÷ 30
Backwards	Km/h	0 ÷ 9	0 ÷ 30

AXLES

With epicycloid reduction gears on all four driving wheels.

Front axle:	steering and rigid.
Rear axle:	steering and oscillating of a 20° total range steering, with automatic proportional self-locking differential. Axle oscillation lock with hydraulic control.

BRAKES

Duty brakes:	with hydraulic control and servobrake, autoregistrating multiple disks under oil bath.
Parking brakes:	manually operated, multiple disks under oil bath.

HYDRAULIC SYSTEM

Composed by: hydraulic gear pump, modular distributor with principal shock-proof and anticavitation valve.
Pressurised circuit.

Max pump capacity	93 l
Max capacity with high-flow	150 l
Max pump pressure	225 Kg/cm ²
Loader lifting cylinder:	Bore x Stroke 80 x 600 mm
Loader bucket cylinder:	Bore x Stroke 90 x 400 mm
Hydraulic cycle time:	9"
Oil tank capacity, circuit included	80 Kg

STEERING

Servoassisted, with hydroguide, on all 4 wheels.
The hydraulic system is "Load Sensing" equipped.

Steering radius interior tyres	1725 mm
Steering radius exterior tyres	3580 mm
Steering radius exterior bucket	4350 mm

Steering system at 3 functions:

- > 2 front steering wheels
- > 4 steering wheels
- > "CRAB"

TYRES

Standard:		14.5 x 20	14 Pr
Optional:	narrow type	12.5 x 20	12 Pr
Optional:	wide type	400/70 - R20	radial

Other models on request.

LOADER

Single servocontrol lever for arm and bucket.
"Z" boom kinematism.

Standard bucket capacity	1,00 m ³
Standard bucket width	2000 mm
Breakout force	6500 kg
Lifting capacity at max height	3000 kg

BACKHOE

Double hydraulic servocontrol.
Two independent stabilizers with blocking valves.
Side translation with four hydraulic locking devices.
Block of rotation and arm lowering with hydraulic control.

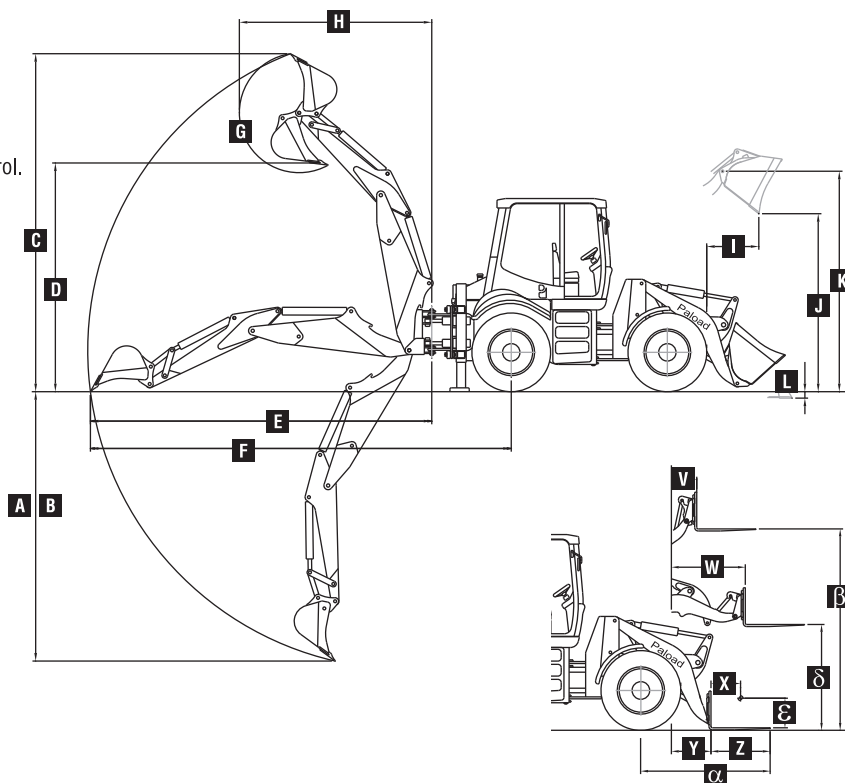
Type	PRE 43
Standard bucket capacity	95 l
Dipperstick max penetration capacity	2700 Kg
Max breakout force on the bucket tip	4600 kg
Lifting capacity on the bucket pin	1200 kg
A - max digging depth	4200 mm
B - standard digging depth	3850 mm
Max dump height	3200 mm
Rotation angle	180°

DIMENSIONS AND WEIGHTS

Max length in moving position	5400 mm
Max width in moving position	2000 mm
Front and rear track width	1620 mm
Ground clearance	380 mm
External tyres width	1970 mm
Standard operating weight	6200 kg
Max operating weight	6600 kg

STANDARD EQUIPMENT

- > Loader servocontrol.
- > Backhoe loader servocontrol.
- > Automatic proportional self locking differential on rear axle.
- > Inching pedal control (transmission speed regulation).
- > Hydraulic servobrake.
- > Antipollution tank plugs.
- > Bucket with screwed teeth.
- > Rotating and downward stop of backhoe boom with hydraulic control.
- > Visual device for shovel positioning.
- > Reverse motion alarm.
- > Battery disconnecting switch.
- > Front and rear work lights.
- > Rotating lamp with magnetic fixing.
- > Shock absorbing and regulating seat with safety belt.
- > Regulating steering wheel.
- > Heating plant.
- > Air filter in aspiration from outside.
- > Rotoform roof for cabin protection.
- > Front mudguards in rotoform.
- > Unified key for lock and starting.
- > Tool box.
- > Use and maintenance manual, spare parts catalogue.
- > Accessories for road circulation.
- > Road homologation for daily and night circulation.
- > CE Certification.



OPTIONAL EQUIPMENT

ON LOADER

- > Hydraulic quick bucket connection.
- > 4:1 multipurpose bucket.
- > Bucket with sidely unloading.
- > Mixer bucket.
- > Front rotating brush.
- > Teeth blade.
- > Asphalt concrete milling.
- > Universal forks.
- > Theft protection.
- > Snow blade or snow plough.
- > Front arm with hydraulic shredder.
- > Eco-Drive gear, 4 speeds forward and 2 reverse.
- > Ride control.
- > Automatic proportional self locking differential on front axle.
- > Air conditioning.

ON BACKHOE

- > Mechanic quick bucket connection.
- > Ditching buckets of different sizes.
- > Trenching buckets of different sizes.
- > Ditch cleaning bucket.
- > Hydraulic hammer.
- > Hydraulic auger.
- > Rubber pads.
- > Hydraulic offset for side digging.
- > Telescopic dipperstick.

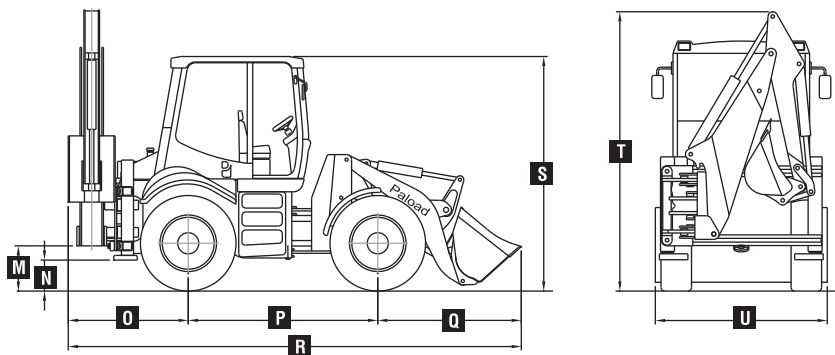
For other accessories and equipment, for characteristics and dimensions, please see the "equipment catalogue".

PALOAD is a mark produced by Palazzani Industrie S.p.A.

OPERATIVE DATA

Operative load with forks EN 474-3 (80%) Kg 2200
 Operative load with forks EN 474-3 (60%) Kg 1650

A	mm 4200	J	mm 2650	V	mm 725	M	mm 550	T	mm 3140
B	mm 3850	K	mm 3300	W	mm 1525	N	mm 380	U	mm 2000
C	mm 4500	L	mm 75	Z	mm 1000	O	mm 1360		
D	mm 3200			X	mm 500	P	mm 2020		
E	mm 4700			Y	mm 885	Q	mm 1950		
F	mm 5865			α	mm 2425	R	mm 5330		
G	202°			β	mm 3150	S	mm 2900		
H	mm 2950			δ	mm 1475				
I	mm 1050			ϵ	mm 500				



N C 304 A 05 Technical sheet PB 60.2 english Rev.04/2005