



**Paload**  
by Palazzani

TECHNICAL SHEET PL185

# PL 185

## ARTICULATED LOADER

### ENGINE

|  |   |
|--|---|
| Complies with European Directive Model | 97/68 CE - STAGE 3 Perkins 1104D - E44T |
| Max. power ISO TR14396                 | HP - kW 104 - 76,7                      |
| Regimen adjusted                       | rpm 2200                                |
| Power adjusted CEE 80/1269             | HP - kW 104 - 76,7                      |
| Power adjusted ISO 9249                | HP - kW 104 - 76,7                      |
| Number of cylinders - injection        | 4 - direct - electronic                 |
| Intake                                 | Turbo feeded                            |
| Displacement                           | cc. 4400                                |
| Cooling                                | water                                   |
| Air filter with double protection      | dry                                     |
| Electrical equipment                   | volt 12                                 |
| Free maintenance battery               | Ah 105                                  |
| Self regulated alternator              | W 1020                                  |
| Fuel tank capacity                     | l 130                                   |
| Water radiator                         | Hydraulic fan                           |

### TRANSMISSION

High-pressure, closed-loop hydrostatic transmission, with automatic adjustment of power, axial pistons pump and engine at variable displacement  
Inching pedal control for traction regulation, modulating, integrated in the service brake pedal  
Mechanic gear with 2 speeds with electric control and electronic speed change  
N° 4 forward and backward speeds

### SPEED

|           |      | 1 <sup>a</sup> | 2 <sup>a</sup> | 3 <sup>a</sup> | 4 <sup>a</sup> |
|-----------|------|----------------|----------------|----------------|----------------|
| Forwards  | km/h | 0 ÷ 6          | 0 ÷ 14         | 0 ÷ 16         | 0 ÷ 39         |
| Backwards | km/h | 0 ÷ 6          | 0 ÷ 14         | 0 ÷ 16         | 0 ÷ 39         |

### AXLES

With epicycloids reduction on all four driving wheels.

|             |   |
|-------------|---|
| Front axle: | rigid with automatic proportional self-locking differential.                                    |
| Rear axle:  | oscillating of a 25° total range steering and automatic proportional self-locking differential. |

### BRAKES

|                 |  |
|-----------------|--|
| Duty brakes:    | with hydraulic control on all four wheels at multiple disks under oil bath integrated in the axles, with 2 independent circuits. |
| Parking brakes: | electro-hydraulic automatic negative brake, acting on the front axle.  |

### HYDRAULIC SYSTEM

Composed by: hydraulic gear pump, modular distributor with relief valve and shock-proof and anticavitation valves on uses.  
Pressurised circuit.

|                         |                            |
|-------------------------|----------------------------|
| Max pump capacity       | 120 l                      |
| Max pump pressure       | 225 kg/cm <sup>2</sup>     |
| Loader lifting cylinder | bore x stroke 95 x 710 mm  |
| Loader bucket cylinder  | bore x stroke 105 x 422 mm |
| Oil tank capacity       | 70 l                       |
| Heat exchanger          | hydraulic fan              |

### STEERING

Servo assisted, with hydro guide and articulated chassis. Total steering angle of 80°. The hydraulic system is "Load Sensing" equipped.

|                                 |         |
|---------------------------------|---------|
| Steering radius interior tyres  | 2790 mm |
| Steering radius exterior tyres  | 4850 mm |
| Steering radius exterior bucket | 5300 mm |

### TYRES

|                          |              |                   |
|--------------------------|--------------|-------------------|
| Standard:                | driving type | 15,5 x 25 radial  |
| Optional:                |              | 455/70 R24 radial |
| Other models on request. |              |                   |

### LOADER

Single servo control lever for arm and bucket.  
Electronic bucket floating and levelling.  
"Z" boom kinematics.

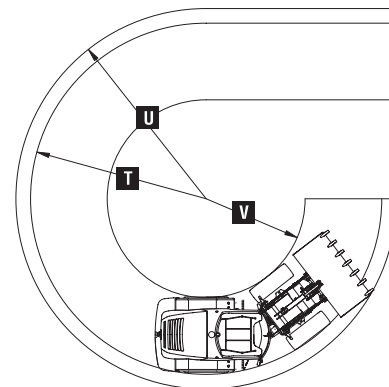
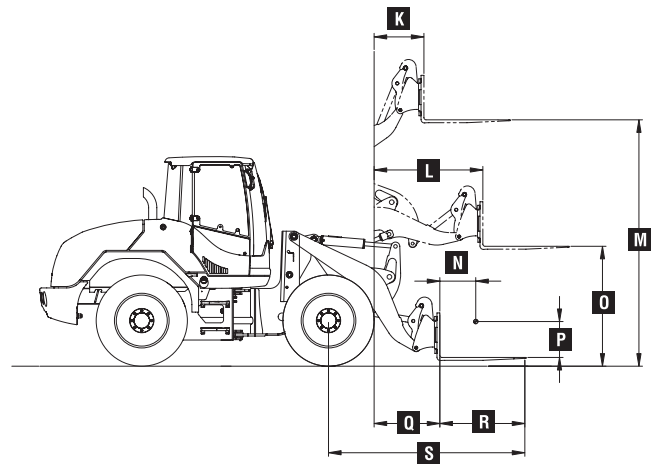
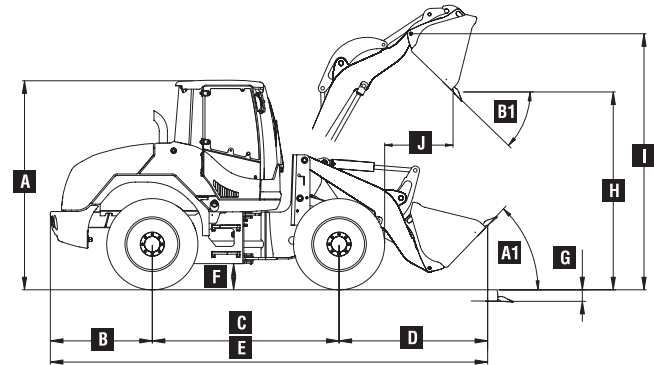
|                                    |                              |
|------------------------------------|------------------------------|
| Standard bucket width and capacity | 2200 mm -1,20 m <sup>3</sup> |
| Enlarged bucket width and capacity | 2400 mm -1,35 m <sup>3</sup> |
| Breakout force                     | 8400 kg                      |
| Lifting capacity at max height     | 3800 kg                      |

### DIMENSIONS AND WEIGHTS

|   |         |
|---|---------|
| Wheelbase                               | 2700 mm |
| Front and rear track width              | 1660 mm |
| External tyres width (with 15,5x25)     | 2070 mm |
| Bucket pin height                       | 3550 mm |
| Unloading distance (with bucket at 45°) | 820 mm  |
| Unloading height (with bucket at 45°)   | 2760 mm |
| Standard operating weight               | 7900 kg |
| Max operating weight                    | 8300 kg |

**STANDARD EQUIPMENT**

- > Loader servo control
- > Automatic proportional self-locking differential on front and rear axle
- > Inching pedal control (transmission speed regulation)
- > Antipollution tank plugs
- > Bucket with screwed teeth
- > Reverse motion alarm
- > Battery disconnecting switch
- > Front and rear work lights
- > Rotating lamp with magnetic fixing
- > Shock absorbing and regulating "Deluxe" seat, with safety belt
- > Regulating steering wheel
- > Bucket electronic levelling
- > Floating system
- > Heating plant
- > Air filter in aspiration from outside
- > Rotoform front mudguards
- > Tool box
- > Use and maintenance manual, spare parts catalogue
- > Accessories for road circulation
- > Italian road homologation for daily and night circulation
- > CE Certification



**OPTIONAL EQUIPMENT**

- > Hydraulic quick bucket connection
- > Universal forks
- > Enlarged bucket
- > Extra enlarged bucket for light material
- > Enlarged bucket for light material having higher unloading
- > 4:1 multipurpose bucket
- > Paper and branches grab
- > Bucket with side unloading
- > Mixer bucket
- > Wood grab
- > Snow blade or snow plough
- > Front rotating brush with bucket
- > Teeth blade
- > Asphalt concrete milling
- > Inching control manually operated
- > Electronic weighting system
- > Air conditioning
- > Radio
- > Theft protection
- > Ride control

For other accessories and equipment, for characteristics and dimensions, please see the "equipment catalogue".

PALOAD is a mark produced by Palazzani Industrie S.p.A.

**OPERATIVE DATA**

Tipping load with aligned machine kg 6770      Operative load with forks EN 474-3 (80%) kg 3700  
 Tipping load in max articulated position kg 6000      Operative load with forks EN 474-3 (60%) kg 2800

|          |         |          |         |          |         |          |         |           |         |
|----------|---------|----------|---------|----------|---------|----------|---------|-----------|---------|
| <b>A</b> | mm 2835 | <b>H</b> | mm 2760 | <b>K</b> | mm 694  | <b>R</b> | mm 1200 | <b>T</b>  | mm 4850 |
| <b>B</b> | mm 1320 | <b>I</b> | mm 3550 | <b>L</b> | mm 1514 | <b>S</b> | mm 2750 | <b>U</b>  | mm 5300 |
| <b>C</b> | mm 2700 | <b>J</b> | mm 820  | <b>M</b> | mm 3350 |          |         | <b>V</b>  | mm 2790 |
| <b>D</b> | mm 2040 |          |         | <b>N</b> | mm 500  |          |         | <b>A1</b> | 45°     |
| <b>E</b> | mm 6060 |          |         | <b>O</b> | mm 1588 |          |         | <b>B1</b> | 45°     |
| <b>F</b> | mm 365  |          |         | <b>P</b> | mm 500  |          |         |           |         |
| <b>G</b> | mm 80   |          |         | <b>Q</b> | mm 915  |          |         |           |         |

N C 315 A 07 Technical sheet PL 185 english Rev.10/2007



**MACHINE IN CONFORMITY TO THE NEW MACHINES' STANDARDS**

CE  
 We reserve the right to change technical data, so all characteristics are purely indicative. Pictures don't show necessarily the machine in standard version.

**COMPANY WITH QUALITY MANAGEMENT SYSTEM CERTIFIED BY DNV =ISO 9001: 2000=**